





black mango.

interiors

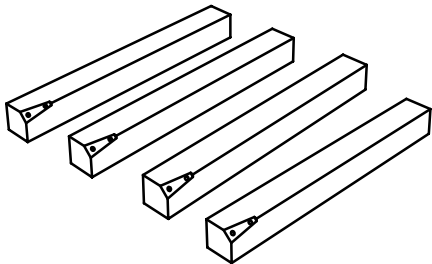
MARI COFFEE TABLE ASSEMBLY INSTRUCTIONS

No	LIST OF HARDWARE	Q.TY(pcs)
1	Bolts 8 x 45 	8
2	Plat Washers 8 	8
3	Spring Washers 8 	8
4	Allen key 	1

A

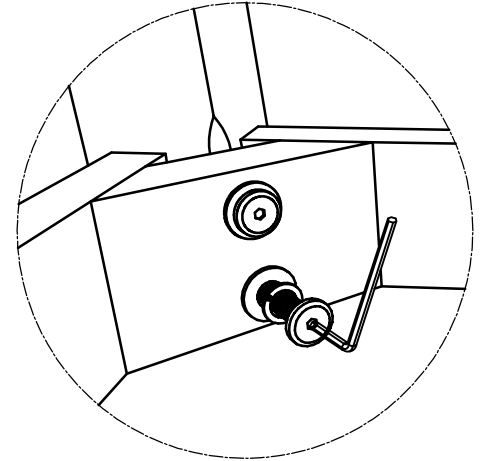
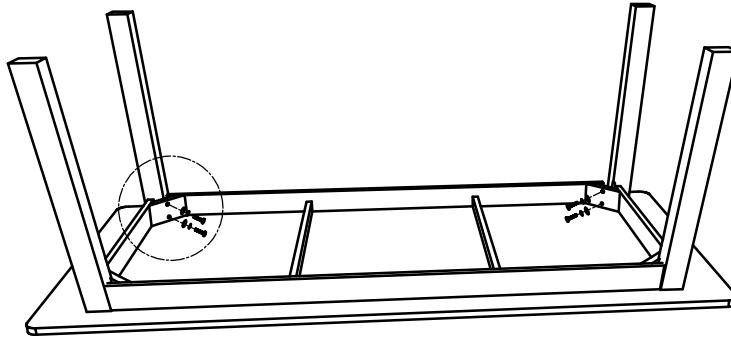


B



ENQUIRIES

For product or warranty
enquiries please email
team@blackmango.com.au



1



2