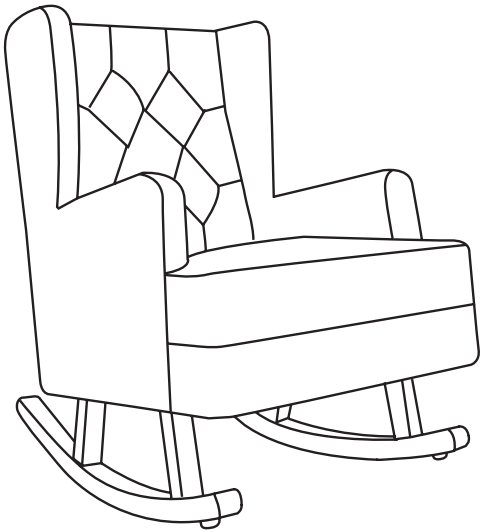


ISLA WINGBACK ROCKING CHAIR - 1091/1093



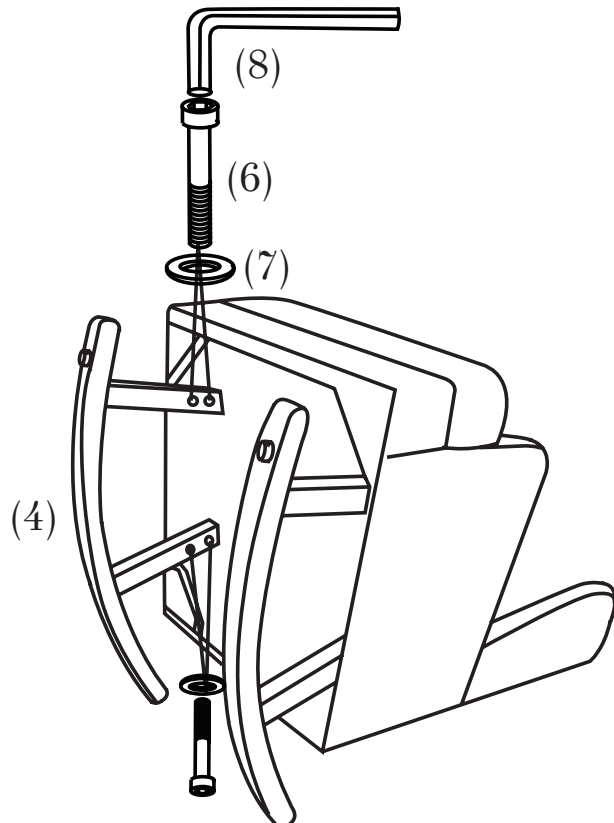
(1) X 1 	(2) X 2
(3) X 2 	(4) X 1 (L) X1 (R)
(6) X 9 	(7) X 9
M8*65M M	(5) X 8
	M8*25M M
	(8) X 1

- Do not throw away packaging materials until assembly is complete and you are satisfied with item.
- Assemble this item on a soft surface, such as cardboard or carpet, to protect finish.
- Proper assembly of this item may require 2 people.

CARE INSTRUCTIONS

Hardware may loosen overtime. Periodically check that all connections are tight. Wipe with a soft, dry cloth. To protect finish, avoid the use of chemicals and household cleaners. Any liquid spilled onto the furniture should be cleaned up immediately with a damp cloth in a gentle dabbing motion.

1. Tighten all legs by hand. Legs and hardware located in packet in carton.

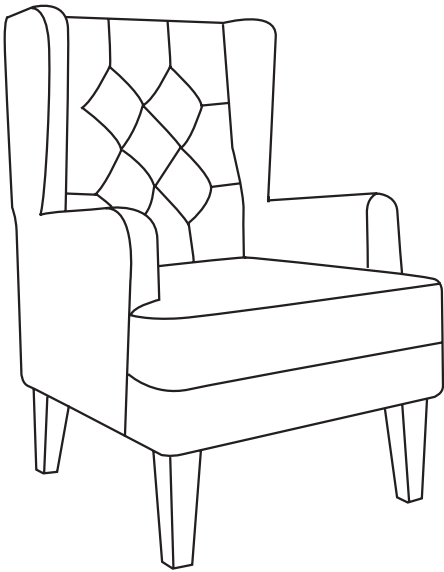


ENQUIRIES

For product or warranty enquiries please email info@blackmango.com.au or call 03 9005 6000

* Product warranty from date of purchase, price and product details are correct only at the time of printing.

ISLA WINGBACK ROCKING CHAIR CONVERSION - 1091/1093

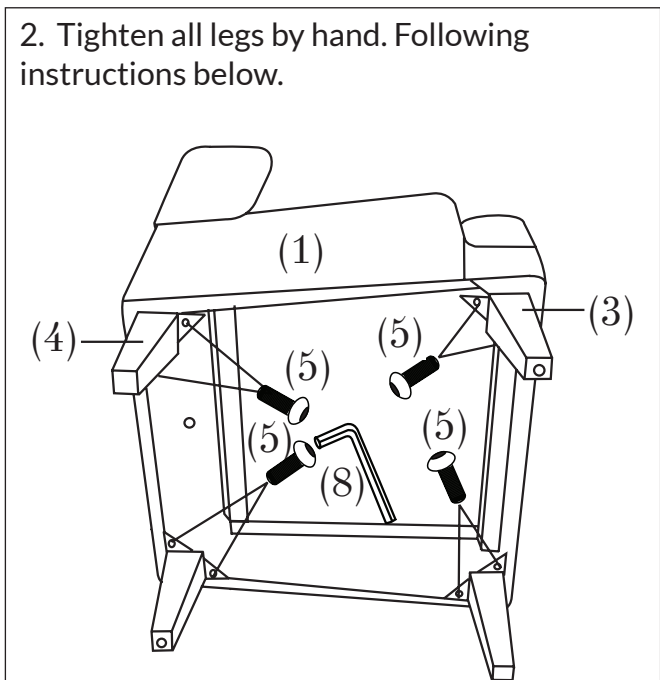
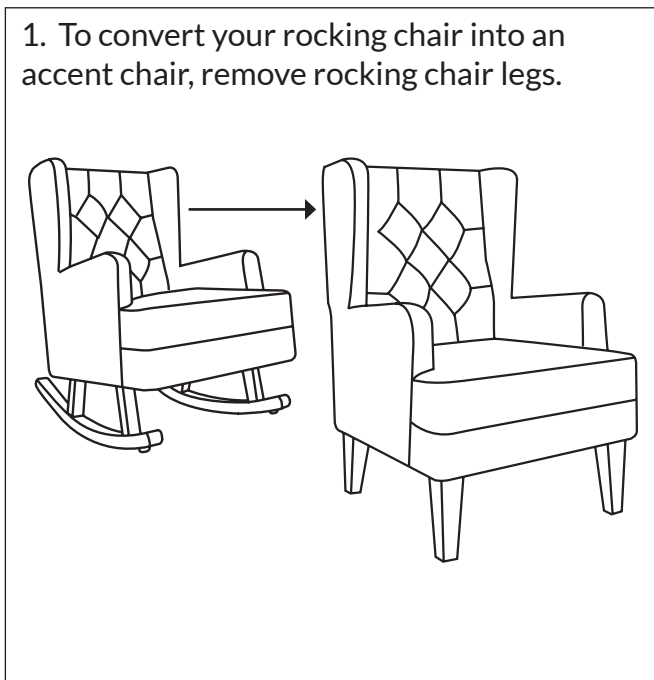


(1) X 1 	(2) X 2
(3) X 2 	(4) X 1 (L) X1 (R)
(6) X 9 	(7) X 9
	(5) X 8
	(8) X 1

- Do not throw away packaging materials until assembly is complete and you are satisfied with item.
- Assemble this item on a soft surface, such as cardboard or carpet, to protect finish.
- Proper assembly of this item may require 2 people.

CARE INSTRUCTIONS

Hardware may loosen overtime. Periodically check that all connections are tight. Wipe with a soft, dry cloth. To protect finish, avoid the use of chemicals and household cleaners. Any liquid spilled onto the furniture should be cleaned up immediately with a damp cloth in a gentle dabbing motion.



ENQUIRIES

For product or warranty enquiries please email info@blackmango.com.au or call 03 9005 6000

* Product warranty from date of purchase, price and product details are correct only at the time of printing.